

# PRODUCT INFORMATION PACKET

Model No: 5KH39QN5558T

Catalog No: 4722

1/12 HP Single Phase HVAC/R Motor, 1 phase, 1800 RPM, 115 V, 48Y Frame, ODP  
HVAC/R Single Phase Motors



Regal and Marathon are trademarks of Regal Beloit Corporation or one of its affiliated companies.

©2020 Regal Beloit Corporation, All Rights Reserved. MC017097E

REGAL



### Nameplate Specifications

Output HP	0.08 Hp	Output KW	0.06 kW
Frequency	60 Hz	Voltage	115 V
Current	2.1 A	Speed	1725 rpm
Service Factor	1.4	Phase	1
Efficiency	42 %	Power Factor	0
Duty	Continuous	Insulation Class	B
KVA Code	V	Frame	48Y
Enclosure	Drip Proof	Thermal Protection	AUTO
Ambient Temperature	40 °C	Drive End Bearing Size	6203
Opp Drive End Bearing Size	6203	UL	Recognized
CSA	Yes	CE	N

### Technical Specifications

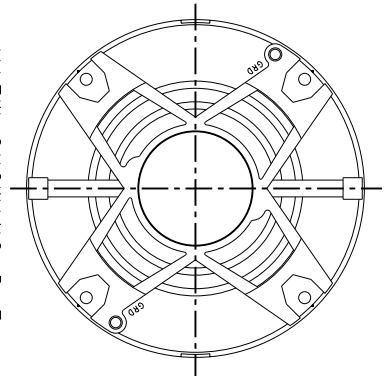
Electrical Type	Split Phase	Starting Method	SM
Poles	4	Rotation	Counterclockwise
Mounting	Resilient Rings	Motor Orientation	ANY
Drive End Bearing	BALL	Opp Drive End Bearing	Ball
Frame Material	Rolled Steel	Overall Length	7.29 in
Frame Length	4.08 in	Shaft Diameter	0.500 in
Shaft Extension	0.97 in	Thru-bolts Extension	0 in
Outline Drawing	52A107024P2	Connection Drawing	52A105380AA

This is an uncontrolled document once printed or downloaded and is subject to change without notice. Date Created:03/11/2020

THIRD ANGLE PROJECTION

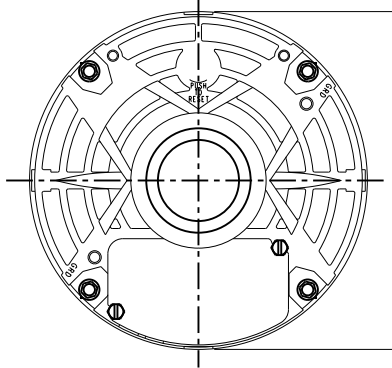


REVISIONS		DESCRIPTION	DATE	APPROVED
3	RETRACED, CHGS. PER T195-21651.	02/16/95	M.D. PAPE	
4	CHG TO RBC FORMAT PER IS05-1777	02/16/06	SUDHA	

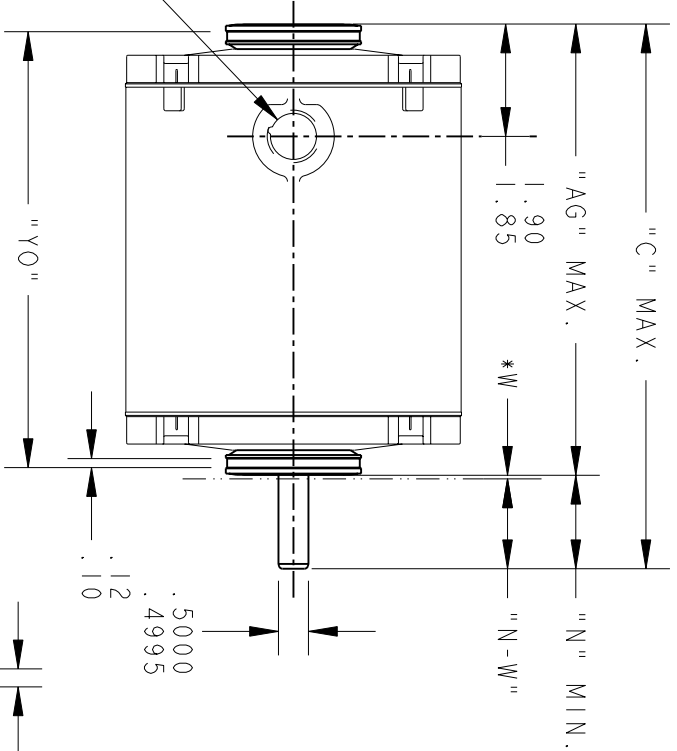


VIEW SHOWING P.E. VENTILATION OPENINGS

5.61 MAX.



\*W IS A VARIABLE CLEARANCE DUE TO VARIATIONS IN PARTS AND ASSEMBLY



P	TYPE	GE SIZE	NEMA FR	"C"	"AG"	"YO"	"N"	"N-W"	SHL. LGTH. REF.
2	KH	39	48Y	7.29	6.20	5.97 5.76	0.97	1.10/0.88	4.05
1	KH	32	48Y	8.40	7.31	7.08 6.87	0.97	1.10/0.88	5.16

SIGNATURES DATE

MODEL M.D. PAPE 03/21/90

DETAIL

CHECKED

ENGRG

MFG

QUALITY

ISSUED M.D. PAPE 02/16/95

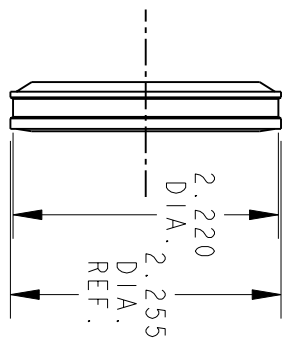
SOLID MODEL: 52A107024

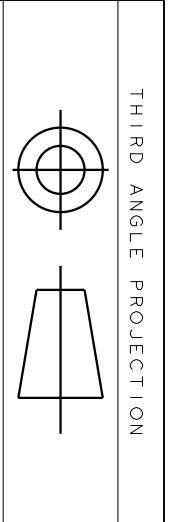


REGAL-BELOTT CORPORATION

TITLE OUTLINE

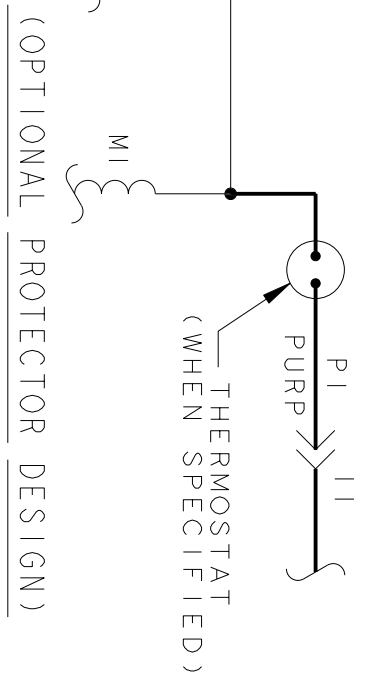
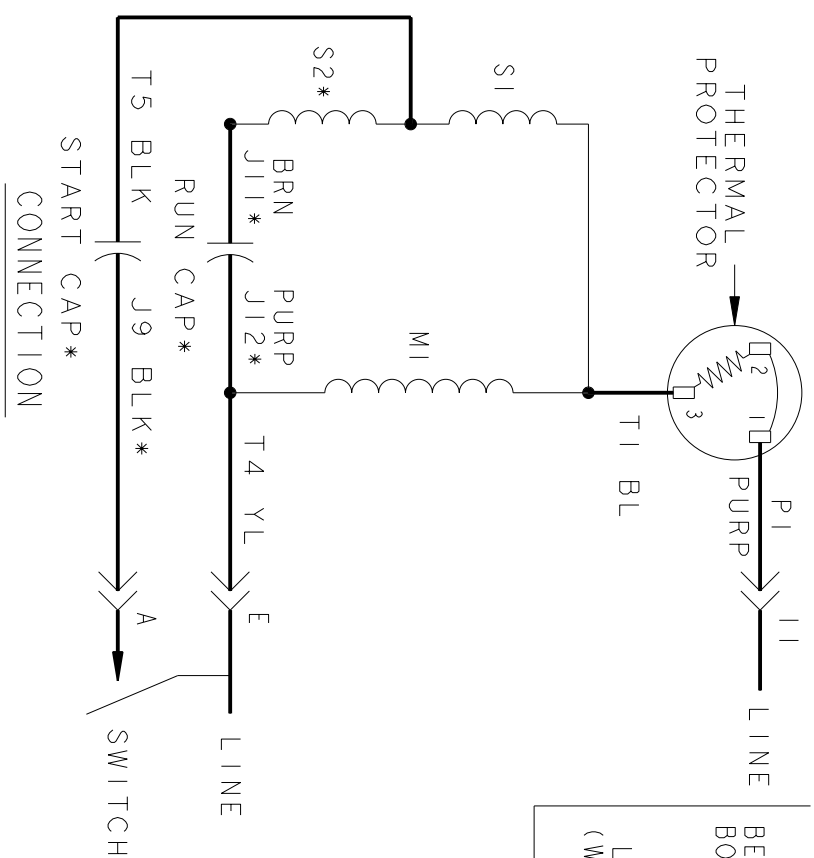
DRIP PROOF - RESIL. RING - SLV./BALL BRG.  
5KH39QN5554T





REV.	DESCRIPTION	DATE	APPROVED
10	ADDED "KHC" PER DS09-1133	07/14/09	MADHU

SET ROTATION, SINGLE VOLTAGE, TYPE KC, KCR, KH & KHC WITH THERMAL PROTECTION



NOTE #1 - START CAP & J9 WHEN SPECIFIED (\*). IF NO CAPACITOR (KH), CONNECT T5 DIRECTLY TO SWITCH (A). WHEN MORE THAN ONE CAPACITOR IS USED, CONNECT IN PARALLEL.

NOTE #2 - EXTRA START (S2), RUN CAP, J11, & J12 WHEN SPECIFIED.

SWITCH (C) - 115D9558AB REF. DIAG. - NONE CONN. LABEL - 52X332046

SIGNATURES	DATE
MODEL M.D. PAPE	06/29/87
DETAIL	.
CHECKED	.
ENGRG	.
MFG	.
QUALITY	.
ISSUED	M.D.P. 11/14/00
SOLID MODEL: 52A105380AA	



REGAL-BELOIT CORPORATION

TITLE CONNECTION DIAGRAM

FMF: 30 FRAME SWITCH REDESIGN

52A105380AA 10

SIZE DRAWING	REF. No.	SHEET 1 of 1
A	.	

